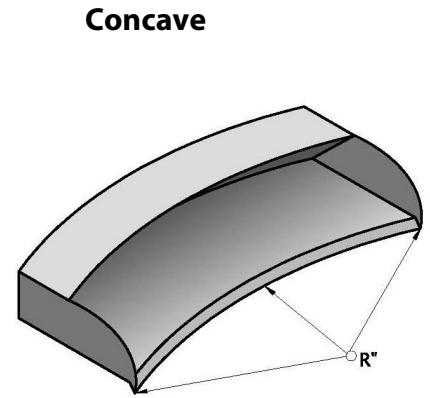
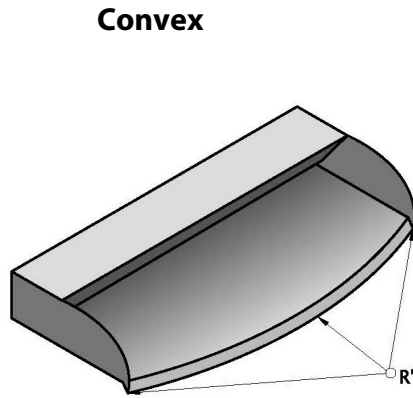
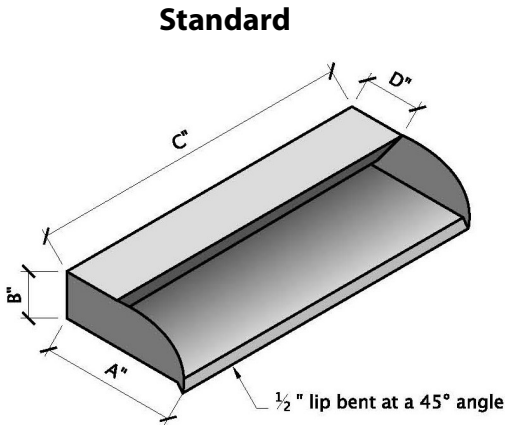


## Trough Scupper Order Form



**Standard Size**

- A. 7-1/2"
- B. 4"
- C. \_\_\_\_\_
- D. 3-1/2"

**Custom Size**

- A. \_\_\_\_\_ "
- B. \_\_\_\_\_ "
- C. \_\_\_\_\_ "
- D. \_\_\_\_\_ "

**Radius**

- Size (R): \_\_\_\_\_ "
- Convex
- Concave

**Material**

- Copper
- Stainless Steel

**Inlet**

- Back (standard)
- Bottom (custom)

**Quantity?** \_\_\_\_\_

**\*Inlet Information:** Inlet protrudes approx. 1" beyond shown dimensions. Standard inlet is 1-1/2" female located on the back of the scupper, along with a ground lug.  
 6"-16" = (1) One female connector.  
 24"-48" = (2) Two female connectors.

**Customer Information**

First Name: \_\_\_\_\_ Phone Number: \_\_\_\_\_

Last Name: \_\_\_\_\_ Fax Number: \_\_\_\_\_

Address: \_\_\_\_\_

City: \_\_\_\_\_ State: \_\_\_\_\_

Email: \_\_\_\_\_

Date: \_\_\_\_\_

\_\_\_\_\_  
 Customer Authorization Signature