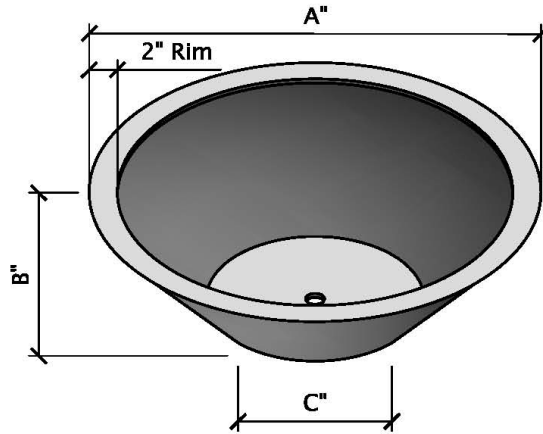
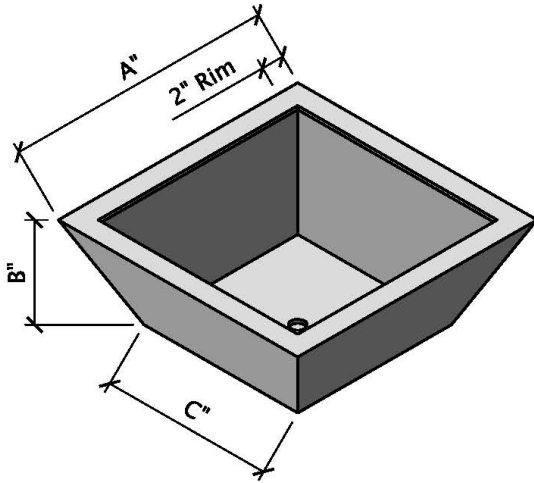


Fire Pot Order Form



Size

A. _____
 B. _____
 C. _____

Shape

- Square
 Round

Ignition

- Manual
 Electronic

Fire Ring

- Square
 Round
 None

Material

- Copper
 Stainless Steel

Quantity? _____

For Pot's A = 20"-34", C = A/2

For Pot's A = 36" and above, C = A-14"

Customer Information

First Name: _____ Phone Number: _____

Last Name: _____ Fax Number: _____

Address: _____

City: _____ State: _____

Email: _____

Date: _____

Customer Authorization Signature _____