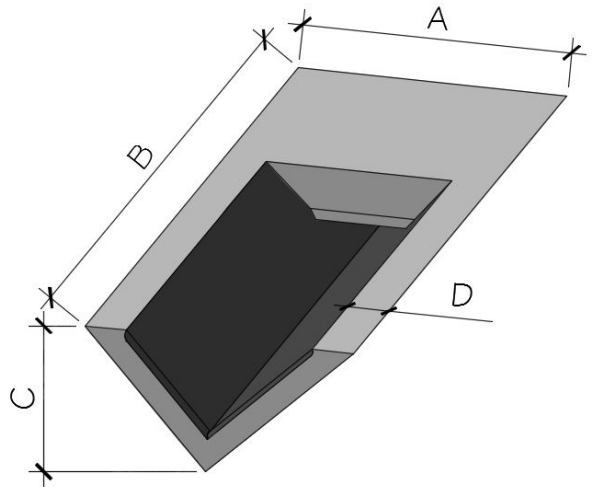
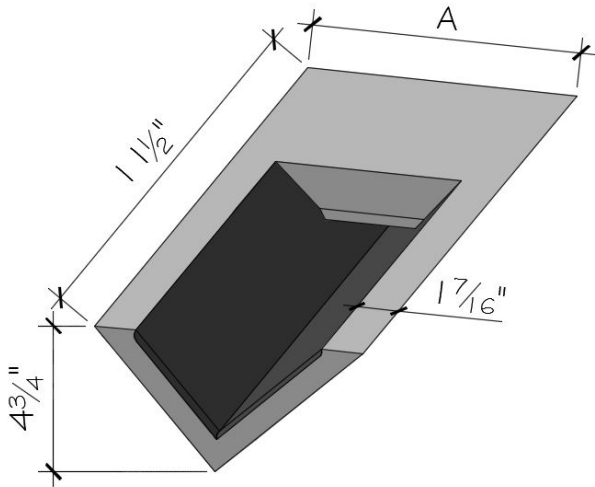


## V - Scupper Order Form



### Standard Size

- A. \_\_\_\_\_  
 B. 11 1/2"  
 C. 4 3/4"  
 D. 1 7/16"

### Custom Size

- A. \_\_\_\_\_ "  
 B. \_\_\_\_\_ "  
 C. \_\_\_\_\_ "  
 D. \_\_\_\_\_ "

### Material

- Copper  
 Stainless Steel

### Inlet

- Back (standard)

\*Inlet Information: Inlet protrudes approx. 1" beyond shown dimensions.  
 Standard inlet is 1-1/2" female located on the back of the scupper, along with a ground lug.  
 12"-16" = (1) One female connector.  
 24"-48" = (2) Two female connectors.

**Quantity?** \_\_\_\_\_

### Customer Information

First Name: \_\_\_\_\_ Phone Number: \_\_\_\_\_

Last Name: \_\_\_\_\_ Fax Number: \_\_\_\_\_

Address: \_\_\_\_\_

City: \_\_\_\_\_ State: \_\_\_\_\_

Email: \_\_\_\_\_

Date: \_\_\_\_\_

\_\_\_\_\_  
 Customer Authorization Signature