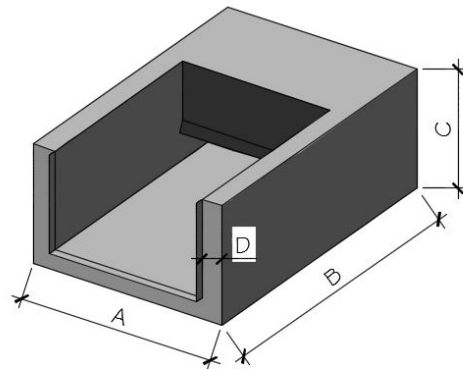
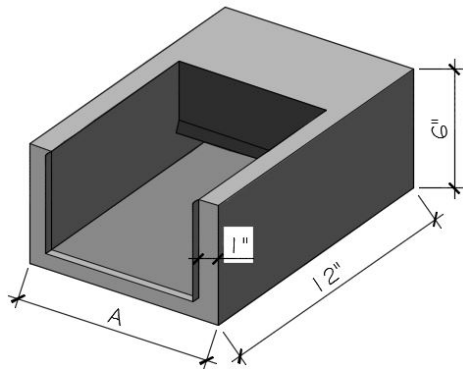


U-Channel Scupper Order Form



Standard Size

- A. _____
 B. 12"
 C. 6"
 D. 1"

Custom Size

- A. _____ "
 B. _____ "
 C. _____ "
 D. _____ "

Material

- Copper
 Stainless Steel

Inlet

- Back (standard)
 Bottom (custom)

*Inlet Information: Inlet protrudes approx. 1" beyond shown dimensions.
 Standard inlet is 1-1/2" female located on the back of the scupper, along with a ground lug.
 12"-16" = (1) One female connector.
 24"-48" = (2) Two female connectors.

Quantity? _____

Customer Information

First Name: _____ Phone Number: _____

Last Name: _____ Fax Number: _____

Address: _____

City: _____ State: _____

Email: _____

Date: _____

 Customer Authorization Signature