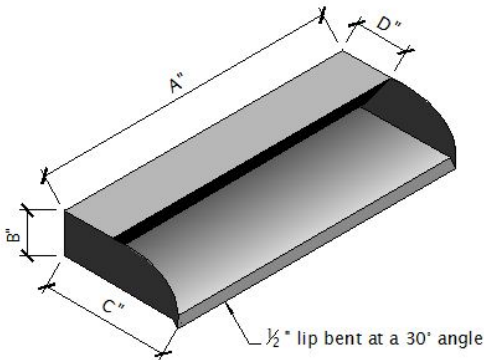
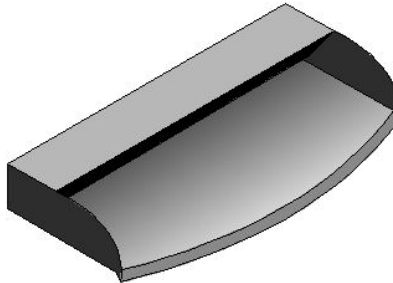


Trough Scupper Order Form

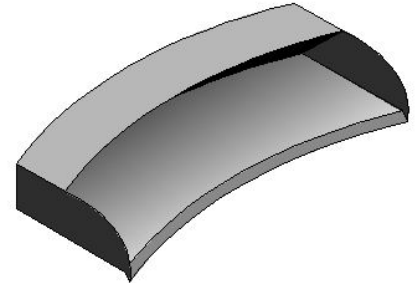
Standard



Convex



Concave



Standard Size

- A. _____
- B. 4"
- C. 7"
- D. 3-1/2"

Custom Size

- A. _____ "
- B. _____ "
- C. _____ "
- D. _____ "

Radius

- Size (R): _____ "
- Convex
 - Concave

Material

- Copper
- Stainless Steel

Inlet

- Back (standard)
- Bottom (custom)

Quantity? _____

***Inlet Information:** Inlet protrudes approx. 1" beyond shown dimensions. Standard inlet is 1-1/2" female located on the back of the scupper, along with a ground lug.
 6"-16" = (1) One female connector.
 24"-48" = (2) Two female connectors.

Customer Information

First Name: _____ Phone Number: _____
 Last Name: _____ Fax Number: _____
 Address: _____
 City: _____ State: _____
 Email: _____

Date: _____

Customer Authorization Signature _____