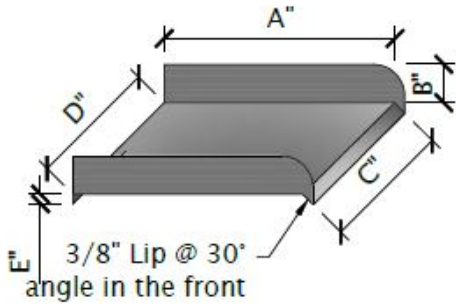
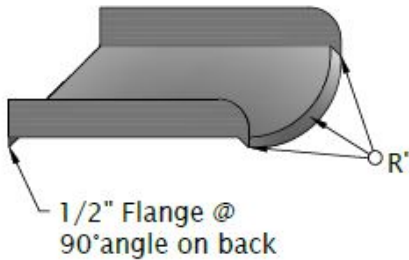


Spillway Flow Scupper Order Form

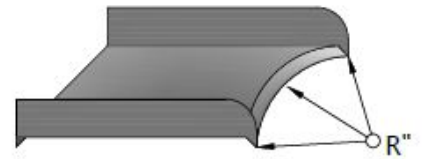
Straight



Convex



Concave



Straight

- A. _____ "
- B. _____ "
- C. _____ "
- D. _____ "
- E. _____ "

Radius

- Size (R): _____
- Convex
 - Concave
 - None

Material

- Copper
- Stainless Steel

*Ground lug to be located on the back of the spillway
 *Perforated Mesh will be place 1" from the back end of the spillway. The amount of mesh placed on the bottom of spillway will be (A / 2)

Quantity? _____

Customer Information

First Name: _____ Phone Number: _____

Last Name: _____ Fax Number: _____

Address: _____

City: _____ State: _____

Email: _____

Date: _____

 Customer Authorization Signature