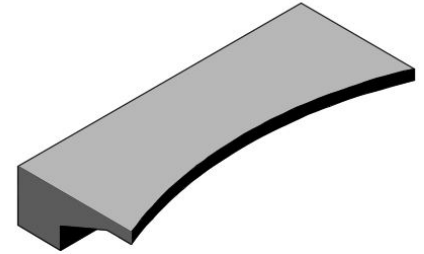
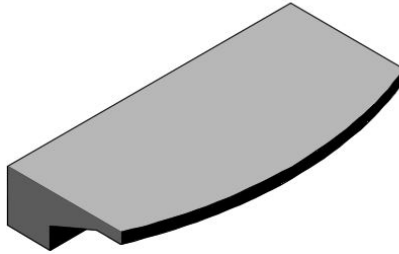
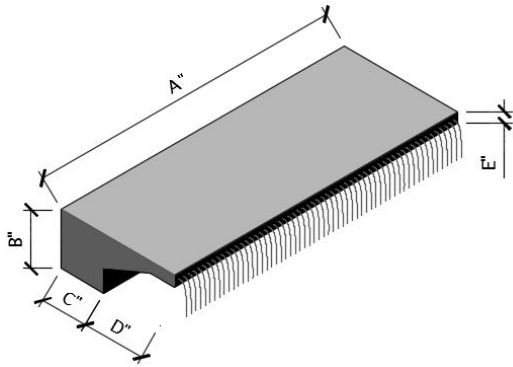


Rain Flow Scupper Order Form

**Standard
Straight**

Convex

Concave



Standard Size

Custom Size

- A. _____
- B. 4 1/4"
- C. 2 3/4"
- D. 3 3/4"
- E. 1" For 90 degree turndown 1/2" Opening

- A. _____ "
- B. _____ "
- C. _____ "
- D. _____ "
- E. _____ "

Radius

- Size _____ "
- Concave
 - Convex

Material

- Copper
- Stainless Steel

Inlet

- Back (standard)
- Bottom (custom)

Rain Fall Spacing

- 1" Spacing ○ ○ ○
- 1/2" Spacing ○ ○ ○ ○ ○
- 1" Spacing Offset ○ ○ ○

Quantity?

*Inlet Information: Inlet protrudes approx. 1" beyond shown dimensions. Standard inlet is 1-1/2" female located on the back of the scupper, along with a ground lug.
 12"-16" = (1) One female connector.
 24"-48" = (2) Two female connectors.

Customer Information

First Name: _____ Phone Number: _____

Last Name: _____ Fax Number: _____

Address: _____

City: _____ State: _____

Email: _____

_____ Date: _____

Customer Authorization Signature