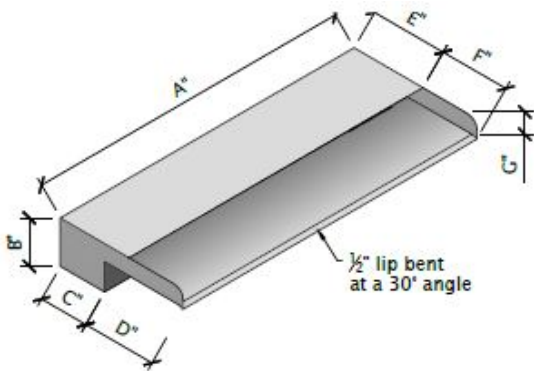
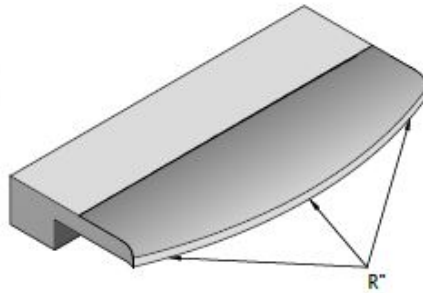


Open Sheet Flow Order Form

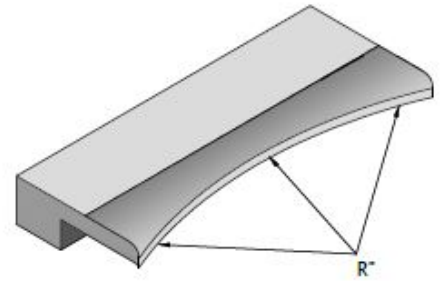
Straight Spillway



Convex Spillway



Concave Spillway



Standard Size

- A.
- B. 3-1/2"
- C. 3"
- D. 5-3/4"
- E. 4-1/2"
- F. 4-1/4"
- G. 1"

Custom Size

- A. "
- B. "
- C. "
- D. "
- E. "
- F. "
- G. "

Radius

- Size (R") _____
- Concave Radius
 - Convex Radius

Material

- Copper
- Stainless Steel

Inlet

- Back (Standard)
- Bottom (Custom)

*Note: Inlet protrudes approx. 1" beyond given dimensions.
 Standard inlet is (1) 1-1/2" female located on the back of the scupper, along with a ground lug.
 12"-16" = (1) One female connector.
 24"-48" = (2) Two female connectors.

Quantity? _____

Customer Information

First Name:

Phone Number:

Last Name:

Fax Number:

Address:

City:

State:

Email:

Date:

 Customer Authorization Signature