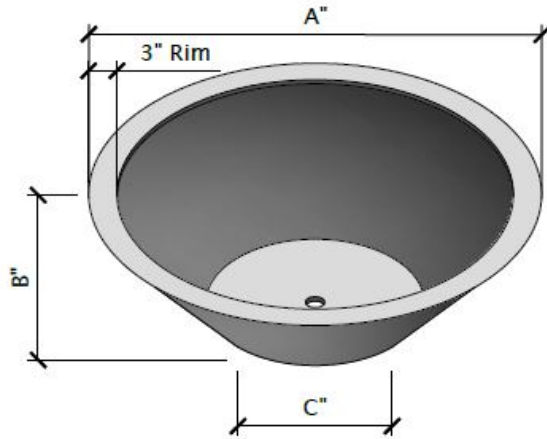
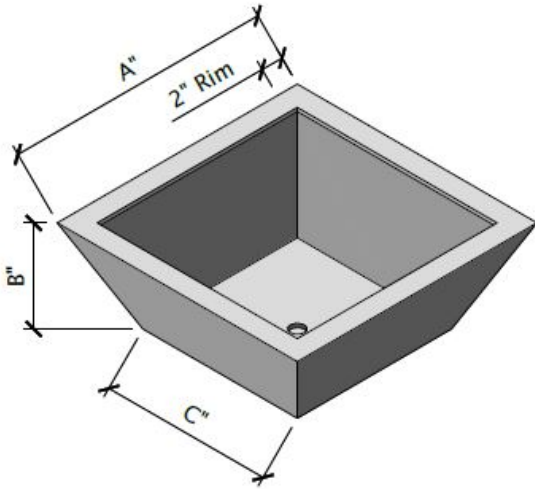


Fire Pot Order Form



Size

A. _____
 B. _____
 C. _____

Shape

- Square
- Round

Ignition

- Manual
- Electronic

Fire Ring

- Square
- Round
- None

Material

- Copper
- Stainless Steel

Quantity? _____

For Pot's A = 20"-34", C = A/2
 For Pot's A = 36" and above, C = A-14"

D. _____ Square Standard Rim - 2"
 _____ Round Standard Rim - 3"

Customer Information

First Name: _____ Phone Number: _____

Last Name: _____ Fax Number: _____

Address: _____

City: _____ State: _____

Email: _____

Date: _____

Customer Authorization Signature _____